

FLAT PACK GALVANISED DUAL FUEL COAL BUNKER

PARTS LIST

Nuts & Bolts

1 Bottom Section (D)

2 Side Sections (A)

1 Back with Lid attached (B)

1 Front Section (C)

1 Inner Top Frame (E)

1 Centre Partition (F)

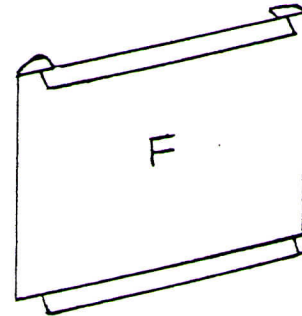
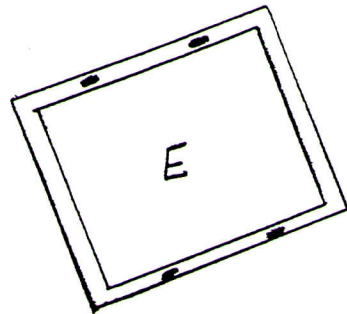
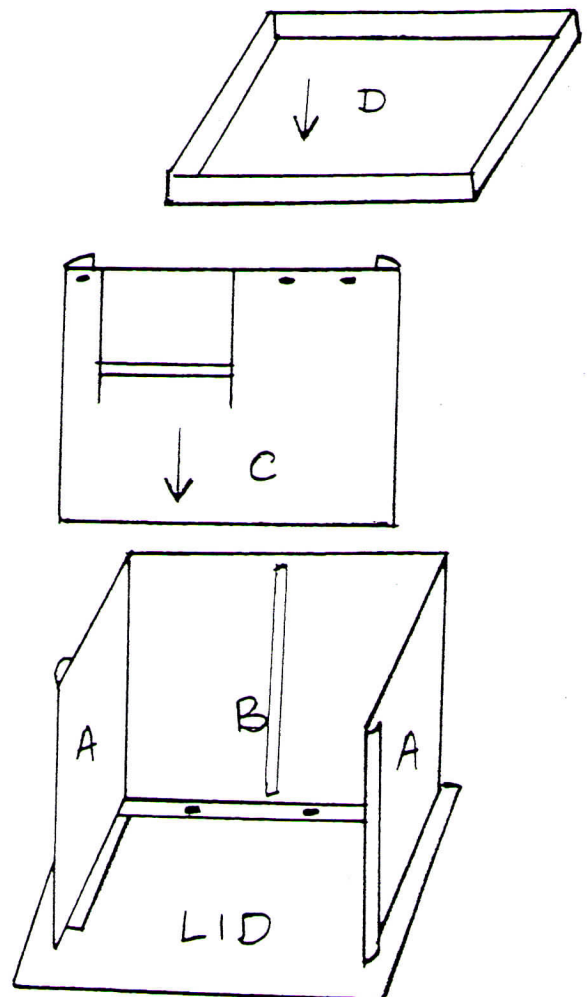
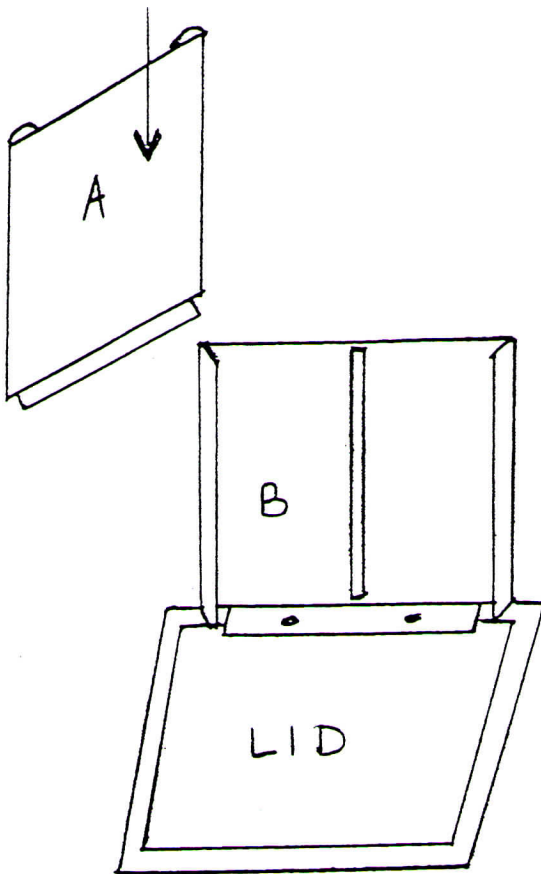


Fig 1

Fig 2



ASSEMBLY INSTRUCTIONS - please be careful of any sharp edges & corners

We recommend 2 people for safe assembly. The bunker will be assembled upside down.

Using part B place lid flat on the floor with the back upright – Fig 1. Slide the sides (A) into the folds with lipped edge first. Fig 2 – Slide in front section (C) with the door facing outwards & centre runner on the inside. Drop in top frame (E). Slide partition (F) into centre runners.

Insert bottom section (D) so that the holes line up & the folds are over the edges. Bolt together.

Turn bunker over. Bolt top frame (E) in place under top folds. Tighten bolts with a screwdriver.

NB: There is a fold at the top of the door runner on the front section – this is to stop the door coming out - It is not damaged